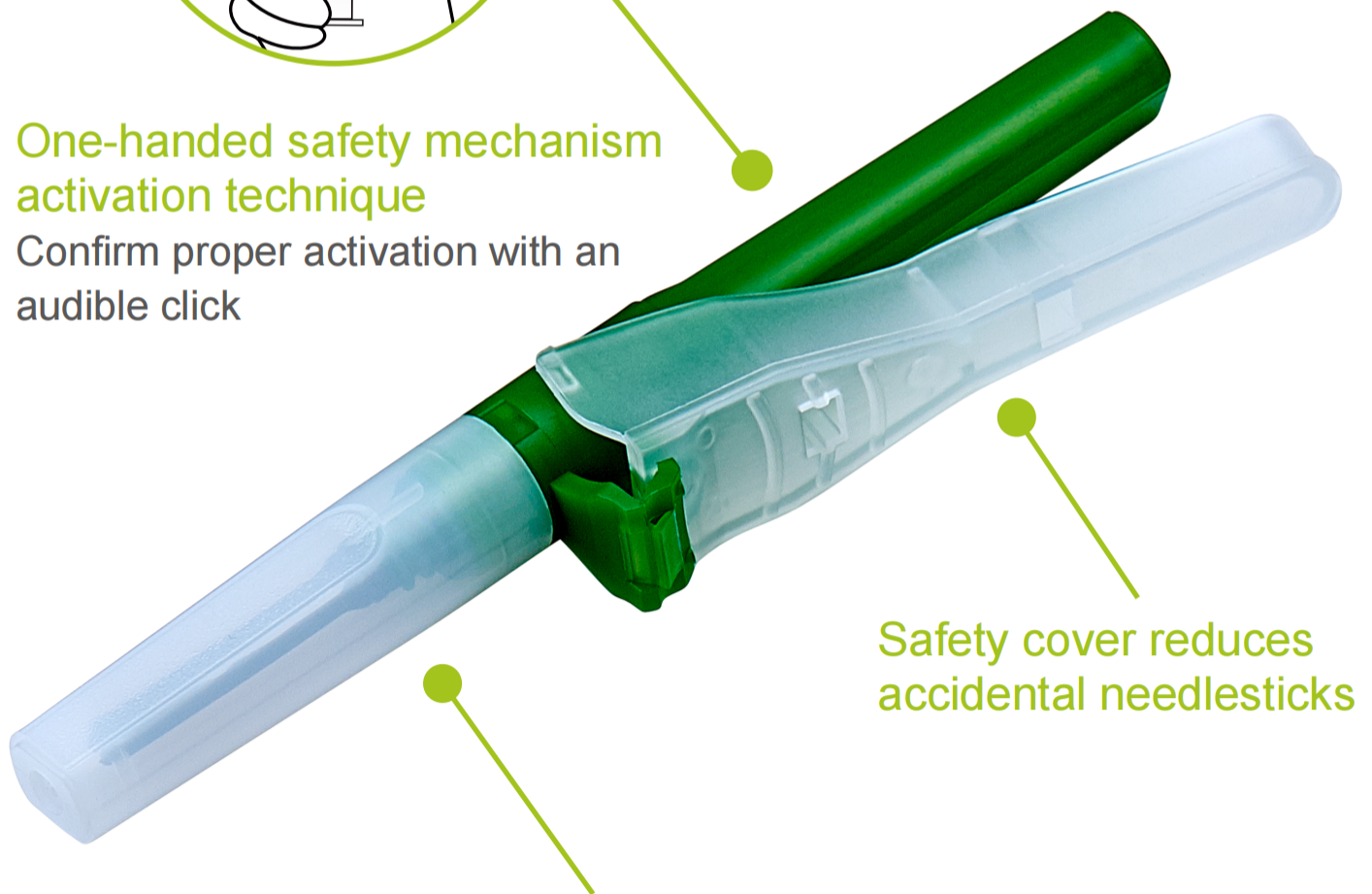


# BERPU®

## Safety Blood Collection Needle



- One-handed safety mechanism activation technique
- Confirm proper activation with an audible click

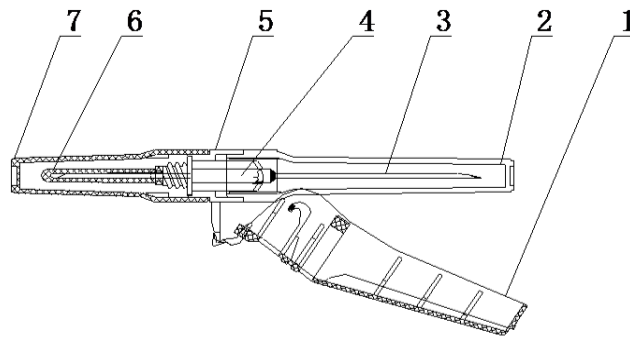


Safety cover reduces accidental needlesticks

Provide a simple, effective way to collect blood

STERILE EO

CE 0123

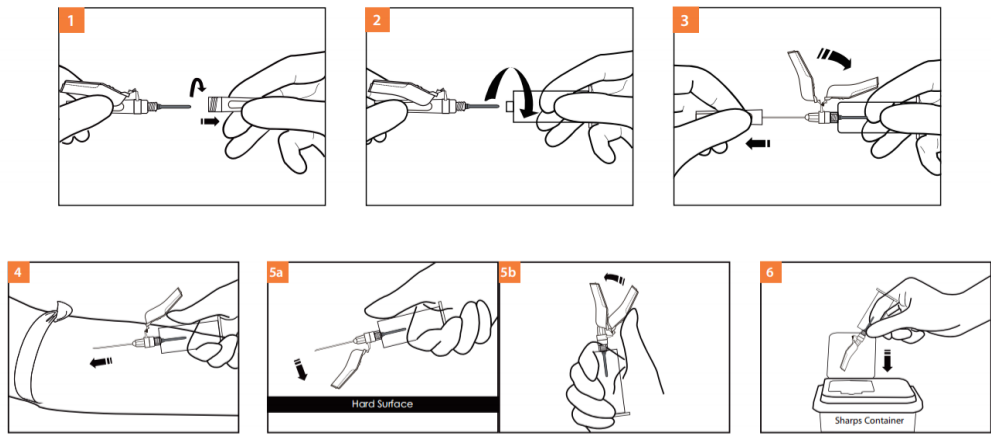


- 1-Safety cap
- 2-Top protector
- 3-Needle
- 4-Needle hub
- 5-Safety cap joint
- 6-Rubber sleeve
- 7-Bottom protector

## Safety Blood Collection Needle

Gauge	18G-27G	
Material	Safety cap	Medical grade PP
	Top Protector	Medical grade PP
	Needles hub	Medical grade ABS
	Cannula	SUS304
	Safety cap Joint	Medical grade PP
	Rubber sleeve	Medical grade rubber
	Bottom protector	Medical grade PP
Intended use	The blood collection needles for single use are applicable for blood collection from patients. It is only for single use, dispose after use, convenient to use, and can effectively prevent the cross infection between patients.	
Latex free	Customized	
Sterilization method	EO	
Shelf life	5 years	
Standard	ISO7864:2016	
Certification	CE, ISO13485	

# Technical Data Sheet



## Packaging:

### Packaging information for Safety Blood Collection Needle

Code	Size	BOX QTY	CASE QTY	DIMENSIONS
B52325	23G × 1"	50/box	40/case	416*345*350MM
B52225	22G × 1"	50/box	40/case	416*345*350MM
B52238	22G × 1 1/2"	50/box	40/case	416*345*350MM
B52125	21G × 1"	50/box	40/case	416*345*350MM
B52138	21G × 1 1/2"	50/box	40/case	416*345*350MM
B52025	20G × 1"	50/box	40/case	416*345*350MM
B52038	20G × 1 1/2"	50/box	40/case	416*345*350MM
B51838	18G × 1 1/2"	50/box	40/case	416*345*350MM
B51638	16G × 1 1/2"	50/box	40/case	416*345*350MM

# BERPU®

Tel: 86 577 85501388

E-mail: sales@berpu.com

Website: www.berpu.com

Address: NO.14 Xingji Road, Yongxing Street, Longwan District,  
325000 Wenzhou Zhejiang Province, P.R. China